

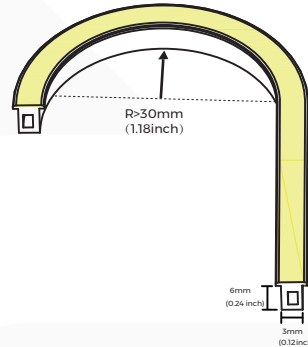
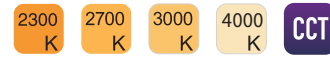
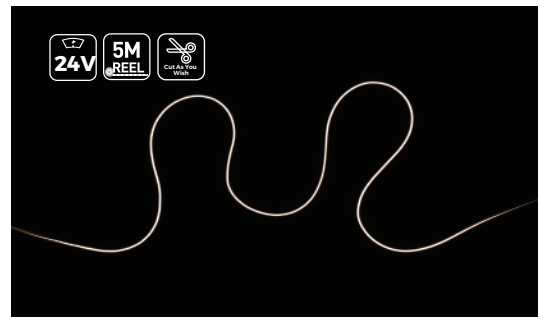
Neon Specification

NMS0306T



【Features】

- Light source: High density, LM80 proved.
- Process & Material: High light transmittance, environmental silicone material, integrated extrusion molding technology.
- Optical Design: Unique optical light distribution structure design, uniform lighting surface and no shadow.
- Appearance Design: Super small model, with edge embedding design, easy to install furniture laminates.
- Product Certification: CE, ROHS.
- Environmental Features: Resistance to saline solutions, acids & alkali, corrosive gases and UV.
- Working/Storage Temperature: Ta:-25~55°C / 0°C~60°C.
- Application: Interior outline, Furniture supporting lighting.
- Indoor 3-year warranty, working life \geq 36000 hours.



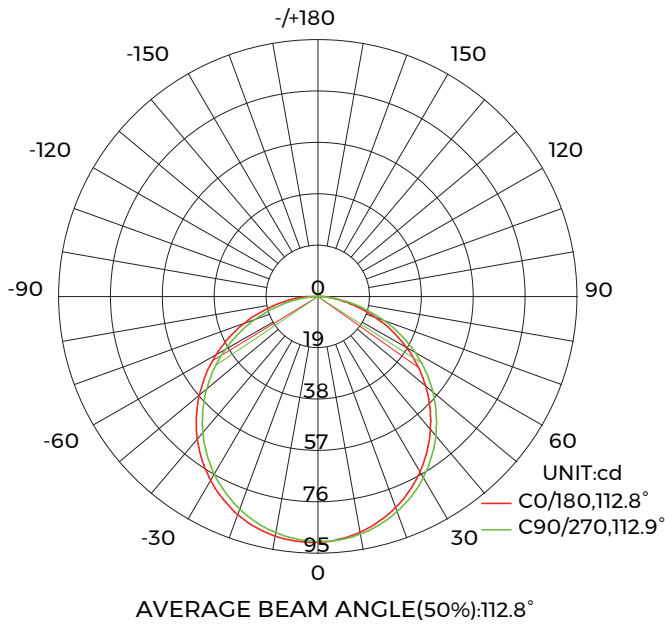
【Basic Parameters】

Model	CCT/colors	CRI		Rated current (A/m)	Rated power (w/m)	Maximum power (w/m)	Lumens (LM/m)	Standard Length	Remark		
NMS0306T-9XW12CSN050CC0500	2300K	>90	12	0.6 (0.18A/ft)	7.2 (2.19W/ft)	8.3 (2.53W/ft)	180(54/ft)	5000mm (16.4ft)	3LED/15.6mm		
	2700K						185(56/ft)				
	3000K						200(60/ft)				
	4000K						220(67/ft)				
NMS0306T-9XW24CSN050CC0500	2300K		24	0.3 (0.09A/ft)	7.2 (2.19W/ft)	8.3 (2.53W/ft)	230(70/ft)		5000mm (16.4ft)	7LED/35.7mm	
	2700K						230(70/ft)				
	3000K						230(70/ft)				
	4000K						280(85/ft)				
NMS0306T-9LWNW12CSN050CC0500	2300K+4000K		12	0.6 (0.18A/ft)	7.2 (2.19W/ft)	8.3 (2.53W/ft)	140(42/ft)			5000mm (16.4ft)	6LED/15.6mm
NMS0306T-9LWNW24CSN050CC0500	2300K+4000K						24				0.3 (0.09A/ft)

Note:

1. The above data is the testing result of 1M standard product;
2. The lumens of output data can be vary up to $\pm 10\%$;
3. The above parameters are all typical values;
4. Standard glue plugs are shipped.

【Light Distribution】



Light distribution

Note: The above data is based on 24V monochrome 4000K color temperature. If you need other models of IES files, please download the corresponding models from the IES database.

Flux out:192.6 lm

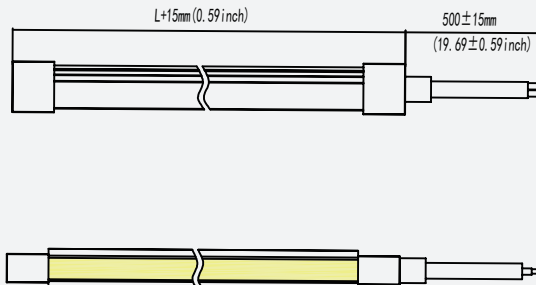
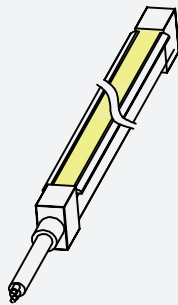
Height	Eavg,Emax	Angle:112.61°	Diameter
1m	25.85,90.97lx		299.97cm
2m	6.463,22.74lx		599.93cm
3m	2.872,10.11lx		899.90cm
4m	1.616,5.685lx		1199.87cm
5m	1.034,3.639lx		1499.83cm
6m	0.7181,2.527lx		1799.80cm
7m	0.5276,1.856lx		2099.77cm
8m	0.4039,1.421lx		2399.73cm
9m	0.3191,1.123lx		2699.70cm
10m	0.2585,0.9097lx		2999.67cm

Note: The Curves indicate the illuminated area and the average illumination when the luminaire is at different distance.

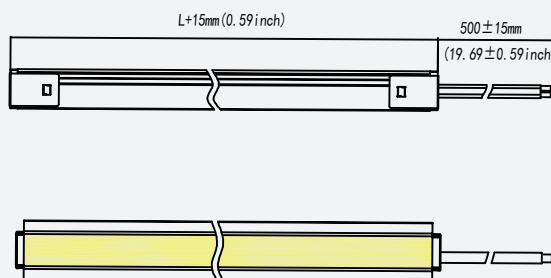
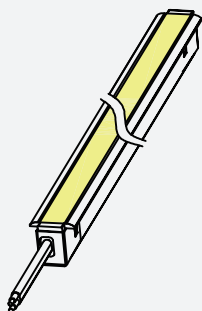
Effective average illuminance

【Product Mechanical Parameters】


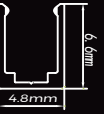

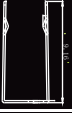

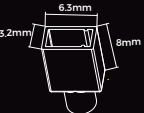


- IP54 Glued cap-top outlet







- IP54 Metal cap-top outlet



[Accessory Information]

Name	Description	Image	Sectional size	Ordering code	Quantity case (PCS)	net weight (kg)	Per box net weight (kg)	Gross weight (kg)	Packing (mm)	Remark
Alumina carrier	Flat mounting aluminum groove			AS-NMS0306A-1000	442	0.0244	10.78	11.94	1180*125*115	Size: L1000*W4.8*H6.6mm
Metal end cap kit	Metal end cap kit			AS-NMS0306TSH0-EC	2000	0.0006	1.25	1.55	250*250*150	/
End cap set	End cap set, including end cap and plug (outlet from the top direction)			AS-NMS0306GH0-EC	800	0.0003	0.24	0.5	250*250*150	/
Glue	588G acidic glue		/	AS-PC-0002	800	0.0035	1.44	1.7	250*250*150	10ml/pcs
Gray wire	2PIN Gray wire (0.5M)		/	AS-WS-0025	200	0.0077	1.54	1.84	250*250*150	/
Gray wire	2PIN Gray wire (2M)			AS-WS-0026	100	0.031	3.1	3.4		

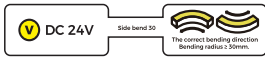
[Product control system solutions]

Product Image	product name	Product number	Order code	Product specifications	Applicable Products
	Monochrome remote	CK1-GBA	402-02-000000-00001	output signal: RF Working voltage: 3VDC (CR2032) Remote control distance: 30m Working temperature: Ta: 0-30 °C-0+55 °C	Monochrome light strip (Use with CR1-GBA)
	Monochrome light controller	CR1-GBA	402-01-000000-00001	Input voltage: DC12-48V Output current: 15A@12V/24V, 10A@36V/48V Output Power: Max 180W@12V/Max 360W@24V/Max 360W@36V/Max 480W@48V Working temperature: -30°C- +55°C	Monochrome light strip (Use with CR1-GBA)
	CCT remote control (double polarity)	RT2	402-02-000000-00006	output signal: RF Working voltage: 3VDC (CR2032) Remote control distance: 30m Working temperature: -30 °C~ +55 °C	CCT light strip (double polarity) (Use with V2-SL)
	Color temperature controller (double polarity)	V2-SL	402-01-000000-00031	Input voltage: DC12-36V Output current: 10A Output Power: 120W-360W Working temperature: -30°C- +55°C	CCT light strip (double polarity) (Use with RT2)

[Packaging Solutions]

• Standard Packaging

1. Line marking, the line marking is affixed at a distance of 80mm from the end of the line;



Voltage & bending warning signs



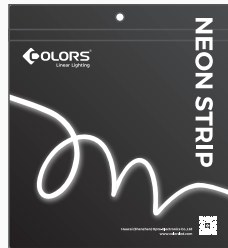
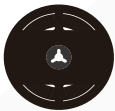
2. Put the product information label on the back back of the static bag inside the marking line;



Product Information Label



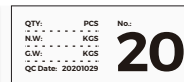
3. Put the light strip into an electrostatic bag, one roll per bag, and seal the bag;



4. Put the product information label and the box number label on the side of the carton, and the QC inspection stamp



Product Information Label



Box number label



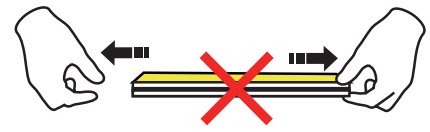
Model	Size	Product Quantity (box)	Product Quantity (case)	Net weight (kg)	Net weight per box (kg)	Gross weight (kg)	Carton size(m)
NMS0306T-9XXCSN050CC0500	L5000*3*6mm	5M*30	150M	0.128	3.84	5.39	0.41*0.41*0.26
NMS0306T-9XXXXCSN050CC0500	L5000*3*6mm	5M*30	150M	0.128	3.84	5.39	0.41*0.41*0.26

[Reliability test]

Test Item	Classification	Reference	Test method or condition
Safety test	Mechanical strength	IEC 60598-1; IEC 60598-2-21	The hammer spring Impact energy 0.35J
	IP	IEC 60598-1; IEC 60598-2-21	IP54
	Winding Test	IEC 60598-1; IEC 60598-2-21	$\phi 150\text{mm}$ cylinder, 60N pull, winding 10 times at $(-25^{\circ}\text{C} \pm 2^{\circ}\text{C})$, and 10 times after $(-15^{\circ}\text{C} \pm 2^{\circ}\text{C}, 16\text{h})$.
	Cold Bend Test	IEC 60598-1; IEC 60598-2-21	wound on mandrel, low-temperature $(-15^{\circ}\text{C} \pm 2^{\circ}\text{C}, 16\text{h})$, around the mandrel for two turns
	Cold Impact test	IEC 60598-1; IEC 60598-2-21	Low-temperature $(-15^{\circ}\text{C} \pm 5^{\circ}\text{C}, 16\text{h})$, hammer falls from a height of 100mm.
	Insulation Resistance	IEC 60598-1; IEC 60598-2-21	$\leq 2\text{M}\Omega$
	Electrical strength	IEC 60598-1; IEC 60598-2-21	500V
Mechanical reliability testing	Bending test	Colors	Each 200mm, bending up and down 100 times
	Bending test	Colors	Each 200mm, bending left and right 100 times
	Torsion test	Colors	Twist clockwise 5 times and then release, repeat 200 times
	Disassembly and assembly test	Colors	Repeat disassembly and assembly, 10 times
Environment Reliability testing	High temperature storing test	IEC 60068-2-2	80°C, 168h
	Low temperature storing test	IEC 60068-2-1	-40°C, 168h
	High temperature and Humidity impact	IEC 60068-2-78	60°C, 85%RH
	Salt Spray test	IEC 60068-2-11	5% salt solution concentration, 24h
	IK	IEC 62262	5 times of impact on each exposed surface
	Lifetime aging test	Colors	35°C, 6000h
	switch test	Colors	10s On, 10s Off, 10000 times

【Precautions】

- Use a 24V DC isolated power supply to drive the neon lamp strip and the ripple wave of constant voltage source shall be less than 5%. It is not allowed to use RC voltage reduction or non-isolated power supply to drive the neon lamp strip.
- In actual applications, 20% of the power supply shall be kept (only 80% of the power is used) to guarantee that sufficient voltage is available to drive the product.
- Attention shall be paid to safe operation. After powering on, it is not allowed to touch the AC power supply to avoid an electric shock.
- Attention shall be paid to the positive and negative poles of the wires during installation and whether the power supply conforms to required voltages to avoid damages.
- Avoid scratching, distortion and irregular bending of the product during installation; otherwise it may cause irreparable damage to the product.
- Please do not bend the strip into an arc with a diameter less than 30mm to ensure the longevity and reliability, the bending diameter too small will damage the product itself.
- If the actual length of application exceeds the specified using length, it will lead to overload heating and uneven brightness.
- Non-professionals are prohibited from installing, disassembling and repairing the product.
- Do not use any acid or alkaline adhesive to fix products (including not limited to glass cement, etc.)
- The final color of products with different sizes and specifications is slightly deviated due to structural differences under the same color temperature, which should be confirmed before use.
- Please use professional cutting tools when cutting.
- Due to the characteristics of the silicone material, it is normal for the color of the colloid to change slightly after the neon product is used for a long time.
- It is strictly forbidden to use 502/705 and other adhesives that are prone to chemical reactions with silica gel during construction and installation. It is recommended to use silicone sealant for bonding.
- Long-term storage and the remaining products after cutting and use must be sealed to avoid exposure to organic environments such as aldehydes/benzenes.
- When the product is installed and used, it is recommended that the product as a whole be in the same environmental conditions to avoid inconsistent color changes of the product colloid due to differences in product exposure and environmental conditions.



No stretching



No distortion



No trampling