

Specification

Prepared	Checked	Approved	Accepted	Confirmed	Approved

UL	CE	RoHS	2835 SMD	144 LEDS/M	LED Strip	DC 24V	IP 66	3 years
-----------	-----------	------	--------------------	----------------------	----------------------------	------------------	-----------------	-------------------

Model: RX10E4TD-A

10000*10, 1440pcs 2835 SMD LEDs, silica gel tube, double color, extruded, constant current, 24Vdc, small square neon LED flex strip (LED A /neon series)

Picture:

Features:

- ⊙ Luminous efficacy up to 80lm/W, energy efficient;
- ⊙ ERP standard compliant, one BIN only, good color uniformity;
- ⊙ 2oz pure copper PCB, constant current driver, guaranteeing low attenuation;
- ⊙ Anti-oxidation by silver for soldering pad;
- ⊙ Vertical soldering, easy and simple;
- ⊙ CE, RoHS, ULcompliant.

Applications:

- ⊙ Suitable for outdoor use as decorative lighting.

Warranty:

- ⊙ 3 years or 13,000 hours, whichever comes first.

Optical and Electrical Parameters:

P/N	LED Color	CCT (K) WL (nm)	CRI	SDCM	Beam Angle (°)	Luminous Flux (lm/m)	Luminous Efficacy (lm/W)	Working voltage (VDC)	Working current (mA)		Power (W/piece)	
									1m[3 n]	10m[7in]	1m[7in]	10m[7in]
RX10E4TD-A	White	4000	≥80	--	≥115	580	80	24	300	3000	7.2	72

Others:

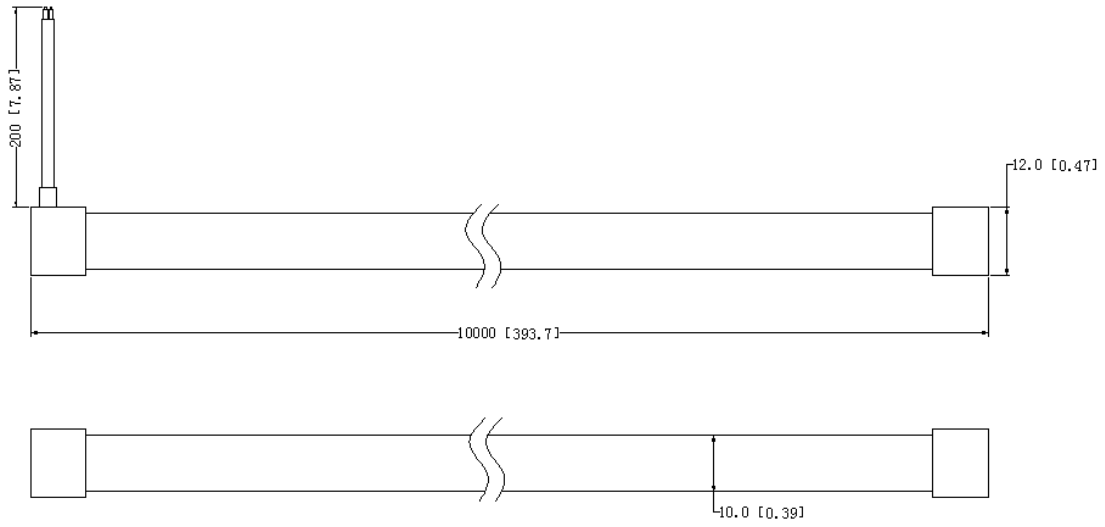
P/N	IP Grade	Operating Temp		Storage Temp		Standard length		Max. cascading length		LED Qty (pcs)	Weight	
		(°C)	(°F)	(°C)	(°F)	(m)	(inch)	(m)	(inch)		(g/piece)	(lb/piece)
RX10E4TD-A	IP66	-25~ +60	-13~ +140	-25~ +70	-13~ +158	10	393.7	10	393.7	144	120	0.264

Notes:

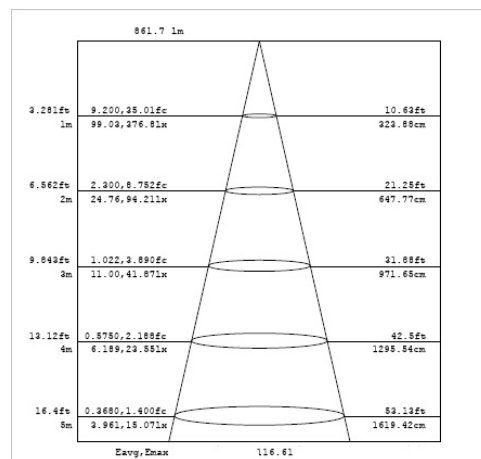
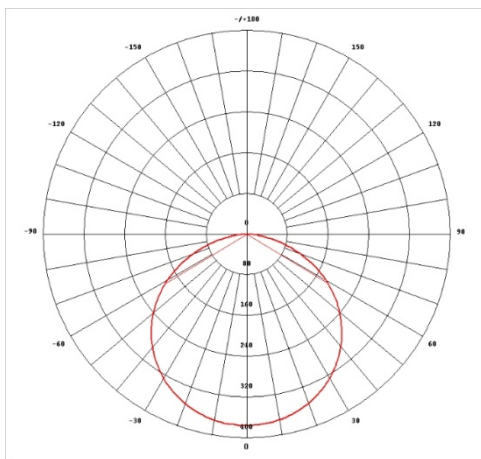
- (1) Testing environment temperature: 25±2°C [77±3.6°F];
- (2) The actual data of each single product may differ from above typical data which are subject to change without prior notice;
- (3) The above "--" means the parameters are not required temporarily.

Profile Drawings:

Unit: mm[inch]



Light Distribution Curve/Isolux Diagram:

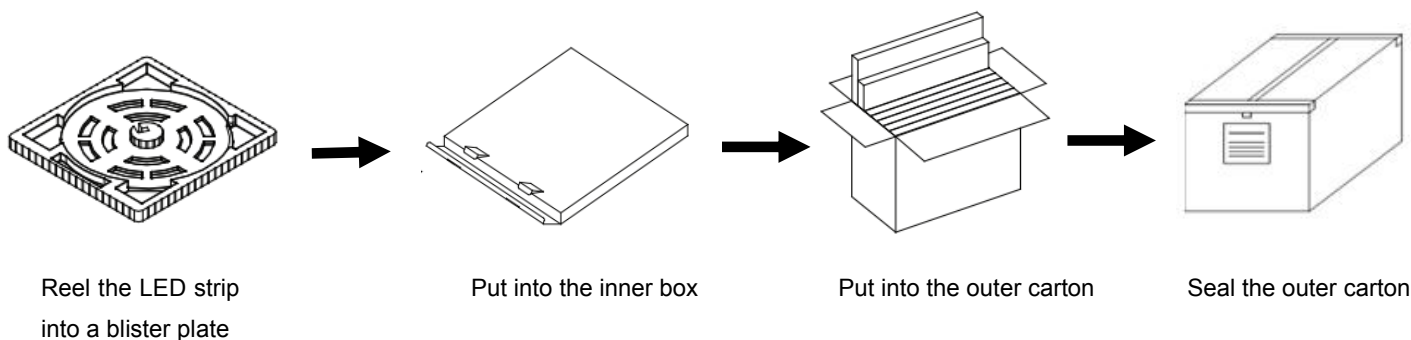


RX10E4TD-A

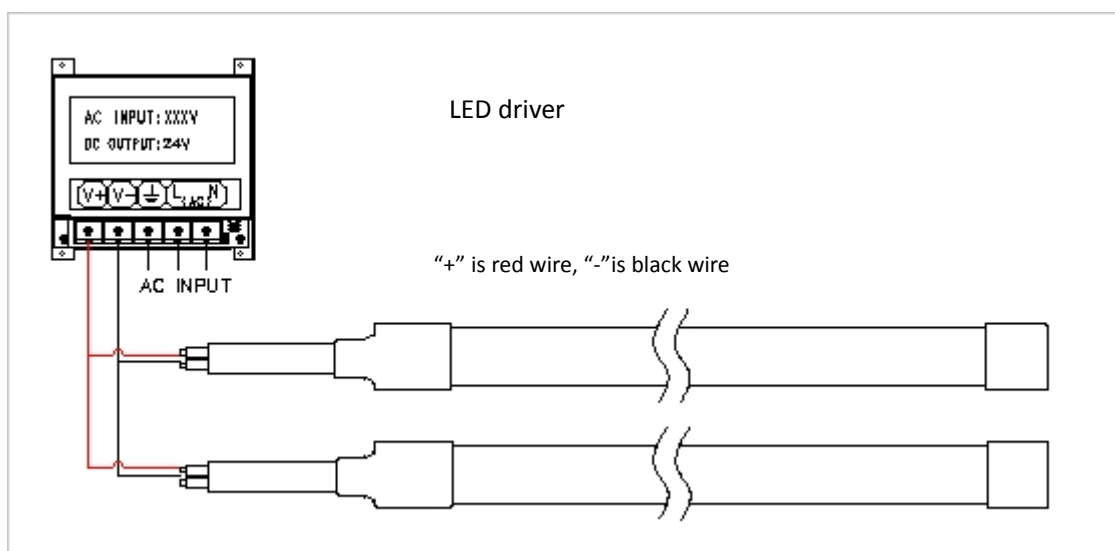
Packaging Information:

P/N	Qty (m/reel)	Qty (m/carton)	Total Qty (m)	Total weight		Outer carton size					
						length		width		height	
				(Kg)	(lb)	(mm)	(inch)	(mm)	(inch)	(mm)	(inch)
RX10E4TD-A	10	70	70	12	26.4	420	16.5	290	11.4	453	17.8

Packaging Diagram:



Connection Instruction:



(Note: Please connect the '+' and '-' of wires to those of power supply output correctly.)

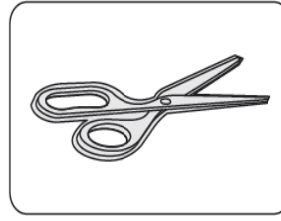
Parts & Tools:

 ○ **Product Spare Parts**


LED Strip






 ○ **Self-provided Tools**


Electrical Drill & Drilling bit



Scissors

Optional Parts:

Category	Part Name	Picture	Specifications/Description	Article Number	Notes
Snap-fit joints	Snap-fit joints		Snap-fit joints /aluminum alloy /20*12*9.9mm/ natural color of Aluminum oxide in surface /square 10*10 neon snap-fit joints	207-106	/
Cable	Cable		Round/flat sheathed lines /2464 20AWG/ silica gel like /white /200mm/ outer diameter 4mm/2 cores, red and black / peel the insulation skin 20mm at one end, Tin-immersion 2.5mm / peel the insulation skin 6mm at the other end,Tin-immersion 1.8mm / lead free	1W-0635120 1-004	
Cable	Cable		Leadwire /2464 20AWG/PVC/ red and black/double cores / white skin /300mm/ with waterproof female end 5.5*2.1mm/ peel the insulation skin 20mm/ Tin-immersion 2.5mm	1W-0735012 5-029	
Cable	Cable		Leadwire /2464 20AWG/PVC/ red and black/double cores / white skin /300mm/with waterproof male end 5.5*2.1mm/ peel the insulation skin 6mm/ Tin-immersion 2.5mm	1W-0735012 5-030	
End cap	End cap		Silica gel end cap /24*13.8*7.8mm/ with outlet hole /slim neon front cover	206-343	

End cap	End cap		Silica gel end cap /13*13.8*7.8mm//slim neon tail plug	206-342	
Scissor	Scissor		Scissor / special use for neon LED strip	WYM-0029	

Troubleshooting:

Malfunctions	Possible Causes	Solutions
All LEDs don't work	1. The power supply did not connect to power grid.	Power on
	2. No electricity due to short-circuit of external power supply.	Remove the malfunction caused by short-circuit, power on again.
	3. The wires of strips connect to power supply output reversely.	Check the connecting and ensure the wires are connected correctly.
Part of LEDs don't work	1. Part of power supplies do not have output.	Check the power supply system.
	2. Part of wires of strips have malfunction.	
	3. Particular modules connected reversely.	Correct connection
Brightness of LEDs is weak or uneven	1. Overloaded power supply;	Replace it with higher power supply
	2. The power loss of power circuit is huge or the power loss of each circuit existing big difference.	Ensure working voltage of strips is within $\pm 5\%V$ of rated voltage. (1. Shorten the length of wires between the first strip and power supply or replaced with wires with bigger diameter; 2. Ensure the cascading qty of string is less than or equal to the allowed maximum cascading qty, and each strip cascading qty is well-balanced.)
	3. Exceed in qty of strips in series	Lessen the cascading qty for strip and ensure the qty for each electrical circuit is within the maximum cascading qty.
LEDs are blinking	1. Poor contacted in the joints.	Find out and tackle malfunction immediately.
	2. Failures in power supply.	Replace power supply.

Declaration:

- ⊙ If the external flexible cable of light box is damaged, please replace it by its manufacturer or its service agent or qualified person to avoid a hazard.
- ⊙ The specific installation and cautions please refer to the user manual.
- ⊙ The given data in this specification is based on our standard product. There may be existed slight difference compared with actual products.
- ⊙ All Illustrations in this specification are for reference only.
- ⊙ This product is subject to change or modify without prior notice.
- ⊙ RISHANG OPTOELECTRONICS CO., LTD reserves the right of final explanation for this specification.

<End>

Rishang Optoelectronics Co., Ltd(stock code: 002654)

Add: Block 2, Hongfa jiateli High-Tech. Park Tangtou Ave., Shiyan, Bao'an Shenzhen

Tell: +86-755-33258896 E-mail: info@ledlamps.com.cn

Website: www.ledlamps.com.cn



Website

Official Account

